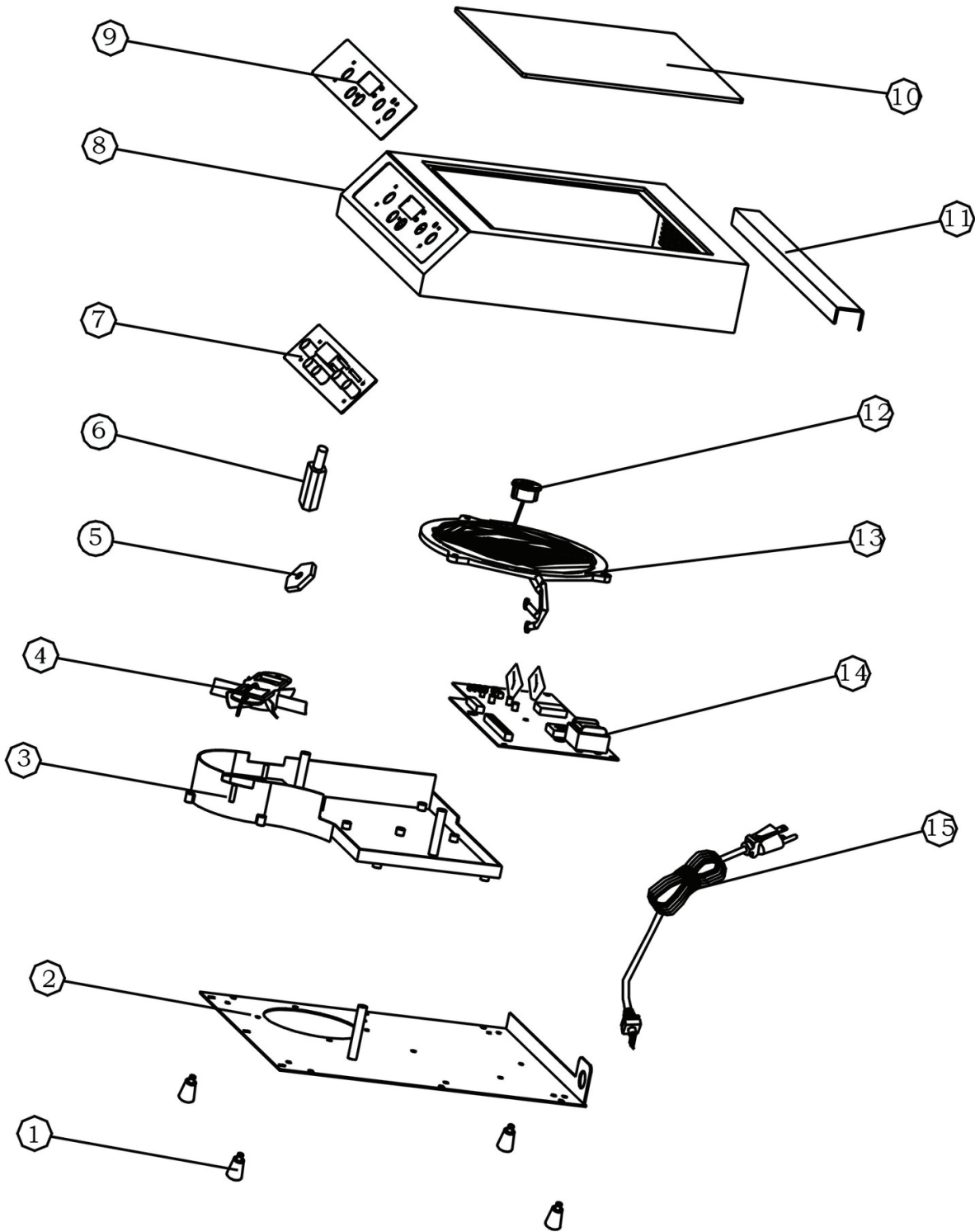


Parts Breakdown

Model **CE-CN-1800** 24429





Parts Breakdown

Model CE-CN-1800 24429

Item No.	Description	Position	Item No.	Description	Position	Item No.	Description	Position
44780	Leg for 24429	1	44784	Control Panel Screw for 24429	6	44787	Stainless Steel Back for 24429	11
44781	Base for 24429	2	44785	Control Panel for 24429	7	41517	Temperature Detector for 24429	12
44782	Plastic Stanchion for 24429	3	44786	Stainless Steel Base for 24429	8	27856	Heating Coil for 24429	13
27855	Motor for 24429	4	44779	Control Panel Plate for 24429	9	27853	Electrical Components for 24429	14
44783	Control Panel Nut for 24429	5	37616	Cooktop for 24429	10			